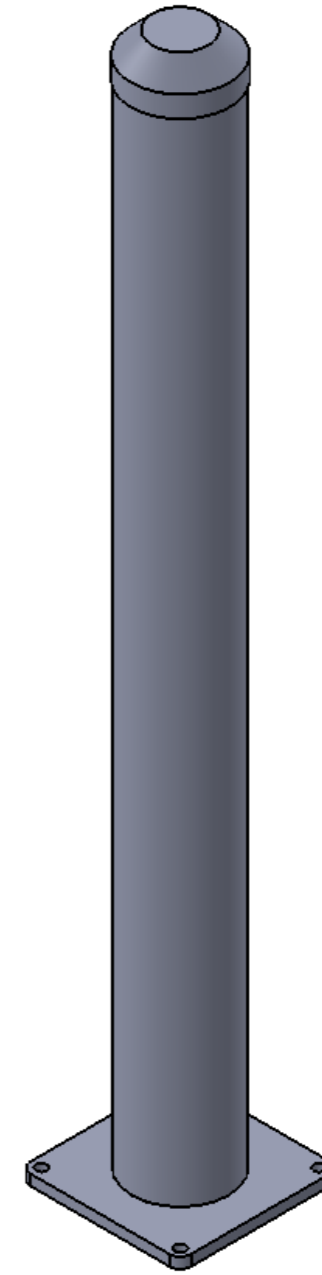
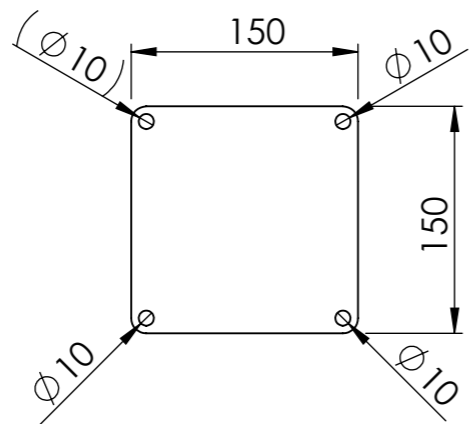


BASE PLATE



FINISH: Galvanised or Powder Coated		DO NOT SCALE DRAWING	REVISION
		TITLE: This is the dimensions of The Aussie All-Rounder	
		MATERIAL: Mild Steel	DWG NO. A3
		WEIGHT: 8.5kg	SCALE: 1:10 SHEET 1 OF 1